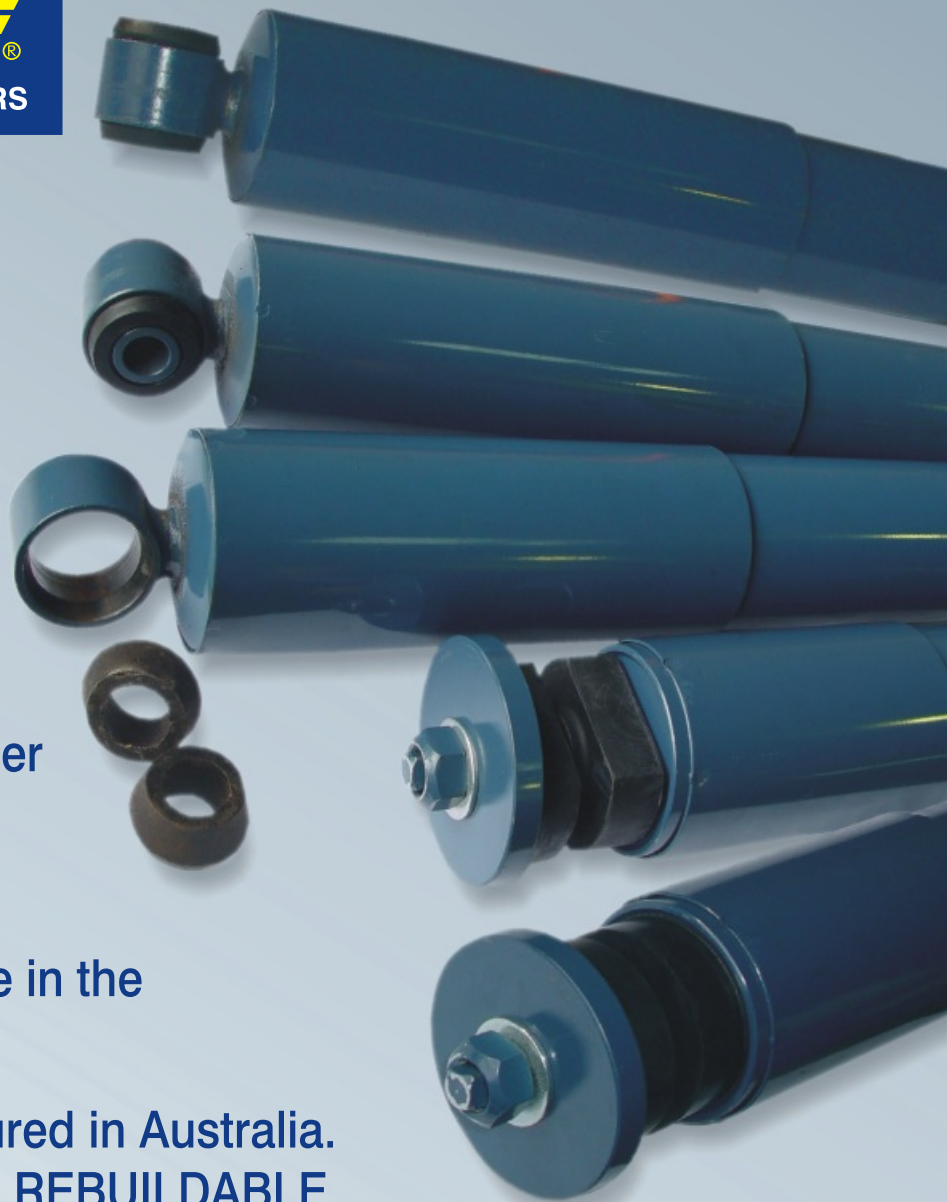


RAILWAY RIDE CONTROL PRODUCTS

- Vertical and Lateral dampers to suit Passenger Car, Locomotive and Light Rail applications
- Over 30 years experience in the Australian Rail industry
- Designed and manufactured in Australia. Engineered for long life - **REBUILDABLE**
 - ▶ Hardchromed, Induction Hardened Piston Rod, superfine polished for long life.
 - ▶ Teflon impregnated Rodguide Bearing.
 - ▶ Support Arc Welded end mounts for greater strength and durability.
 - ▶ Screwed construction for serviceability.
 - ▶ Internal Foam Cell Technology for lateral dampers prevents oil starvation and incorrect orientation when mounting.
 - ▶ Checkvalve Type Seal increases oil retention and improves priming, ensuring seal lip is always lubricated for extended seal life.

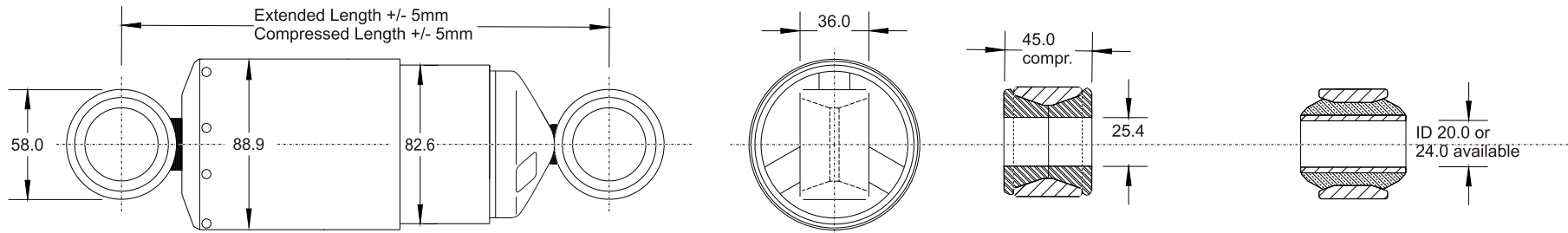


SUPPLIED & SERVICED IN AUSTRALIA BY THE AUTHORISED DISTRIBUTOR:

SIGRA

ROLLINGSTOCK COMPONENTS

SIGRA TECHNOLOGY AUSTRALIA PTY LTD ABN 99 050 056 552
32 JACK WILLIAMS DRIVE PENRITH
(PO BOX 816 KINGSWOOD NSW 2747)
PH: +61 2 4732 1433 FAX: +61 2 4731 4141
EMAIL: info@sigrail.com WEBSITE: www.sigrail.com

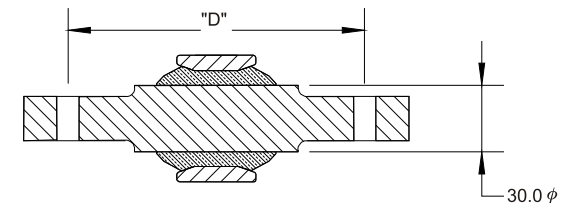


TYPE 1 Mountings

- Dead Length 195mm
- Damping forces up to 30kN @ 0.2m/S

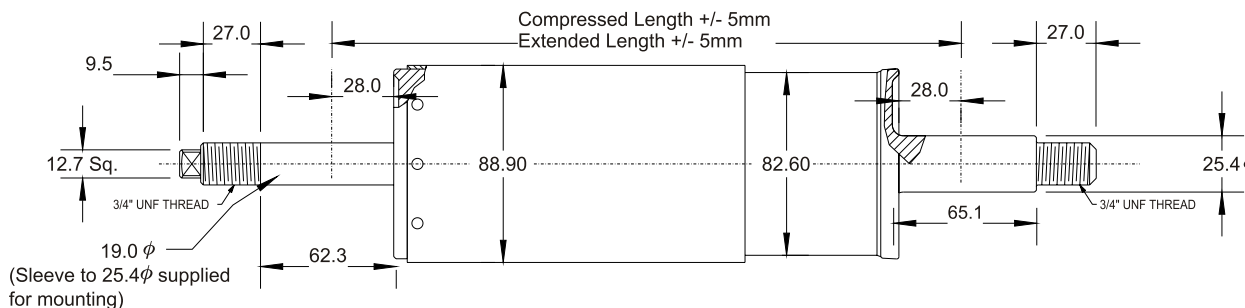
Standard Mounting arrangement: 2 piece rubber bushes supplied with damper

Alternative Mountings, one piece rubber bush with steel sleeve or trunnion



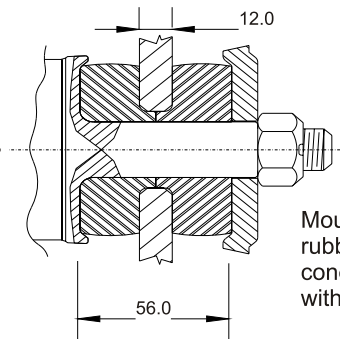
FOR ALL DAMPERS:

Minimum Compressed Length (CL) - Dead Length (DL) = Travel (T)
 Extended Length (EL) = CL + T



TYPE 2 Mountings

- Dead Length 180mm
- Damping forces up to 30kN @ 0.2m/S



SIGRA TECHNOLOGY AUSTRALIA PTY LTD ABN 99 050 056 552
 32 JACK WILLIAMS DRIVE PENRITH
 (PO BOX 816 KINGSWOOD NSW 2747)
 PH: +61 2 4732 1433 FAX: +61 2 4731 4141
 EMAIL: info@sigrail.com WEBSITE: www.sigrail.com