

Latched Isolating & Cut Out Cocks

316 Stainless Steel
Latched Handle

Features

Vibration tested to IEC-61373

316 Stainless Steel investment casting

PTFE seals

-20°C to +200°C

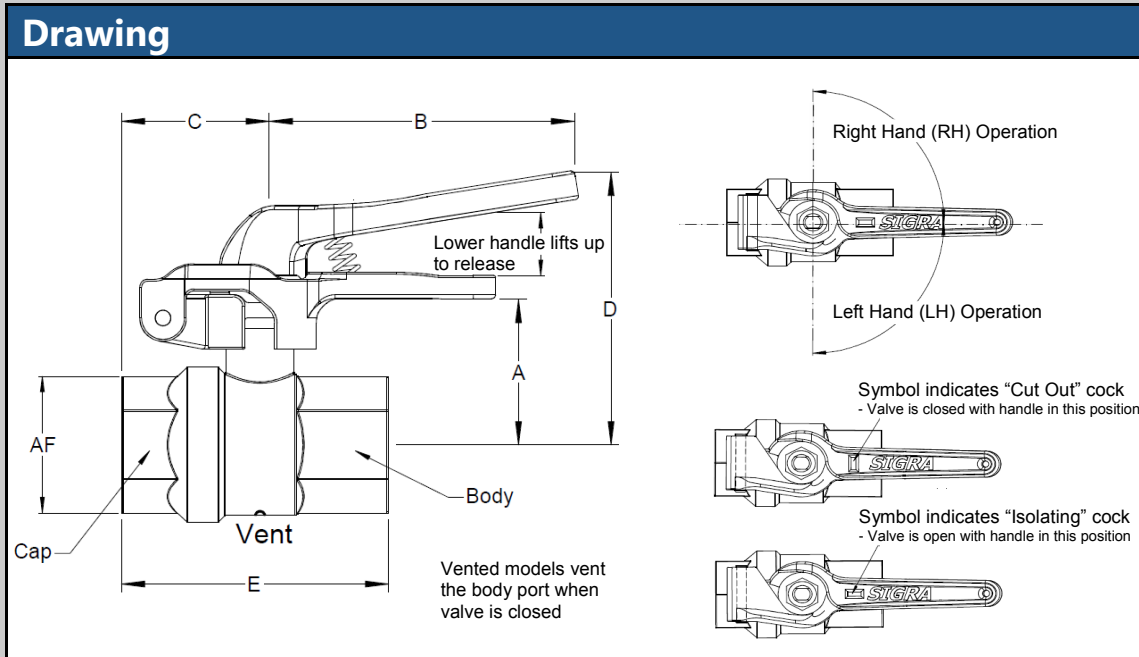
Max operating pressure 7000kpa

Can be locked out

Designed & assembled in Australia

Conforms to AS RISSB 7510-2014

Must be operated in fully open or fully closed position



Sizing Table

BODY	A	B	C	D	E	AF
10S	34	82	0.5 x E	65	59	21
15S	36	82		65	61	25
20S	39	82		65	70	31
25S	45	130		71	81	38
32S	53	130		76	95	47

Example: SIGLI-15SB-LV
(Isolating Cock, Standard Body,
1/2" BSP Ports, LH Operation, Vented).

Oversized bodies available upon request

Sigra Part Numbers

SIG	LI	-	10	S	B	-	L	V
-----	----	---	----	---	---	---	---	---

Type	
LI	Isolating
LC	Cut-out

Body	
S	Standard
X	Oversize

Thread	
B	BSP
N	NPT

Port	
10	3/8"
15	1/2"
20	3/4"
25	1"
32	1-1/4"

Handle Type	
L	Left Hand
R	Right Hand

Vented	
V	Vented
N	Non-Vented

Accessories



Also available, Stainless Steel locking sleeve.

- Prevents operation when "locked out"
- Sleeve and Latched handle include 7mm hole for compatibility with standard safety lockout padlocks*
- 316 Stainless steel construction

Please contact Sigra for further information

*Safety lockout padlock not included